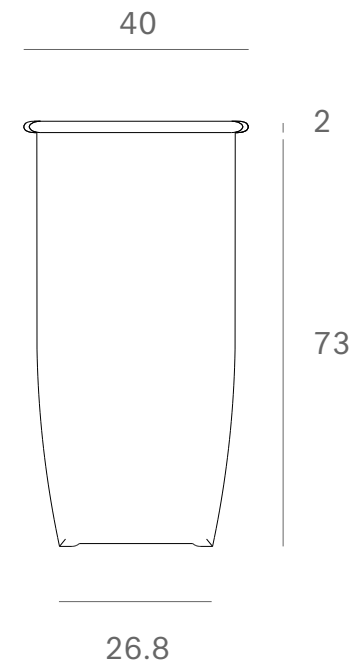
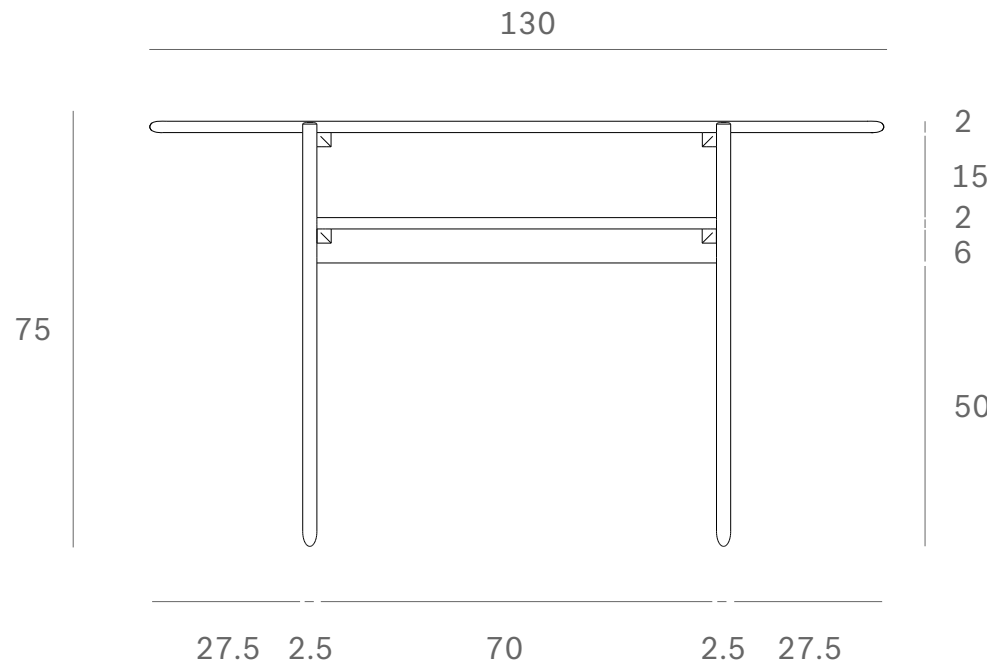
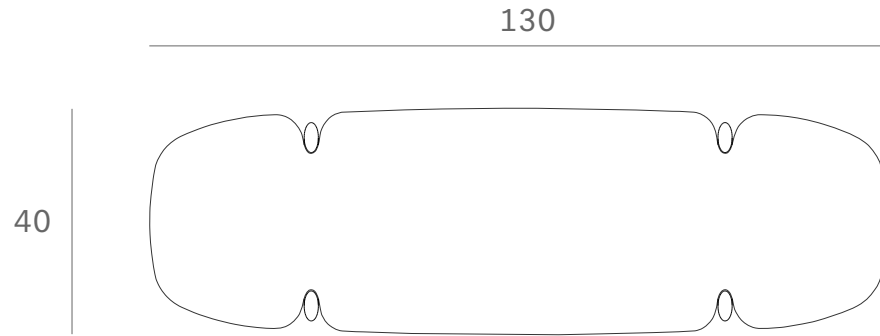


PI console - Dimensions (cm)



PI console - Dimensions (inches)

