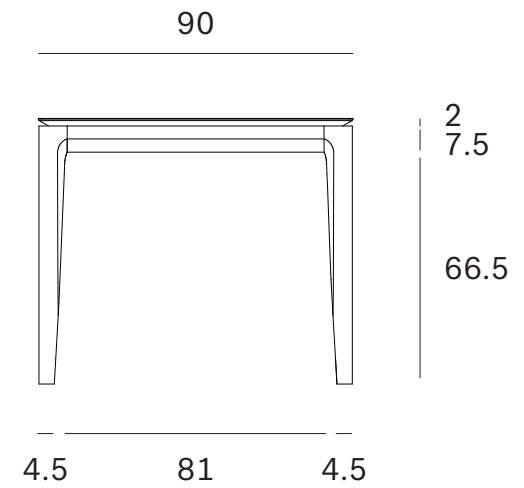
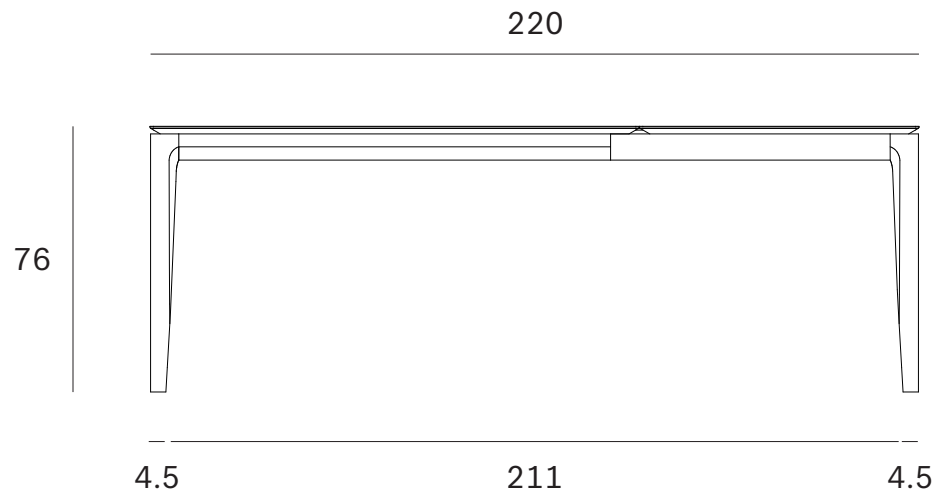
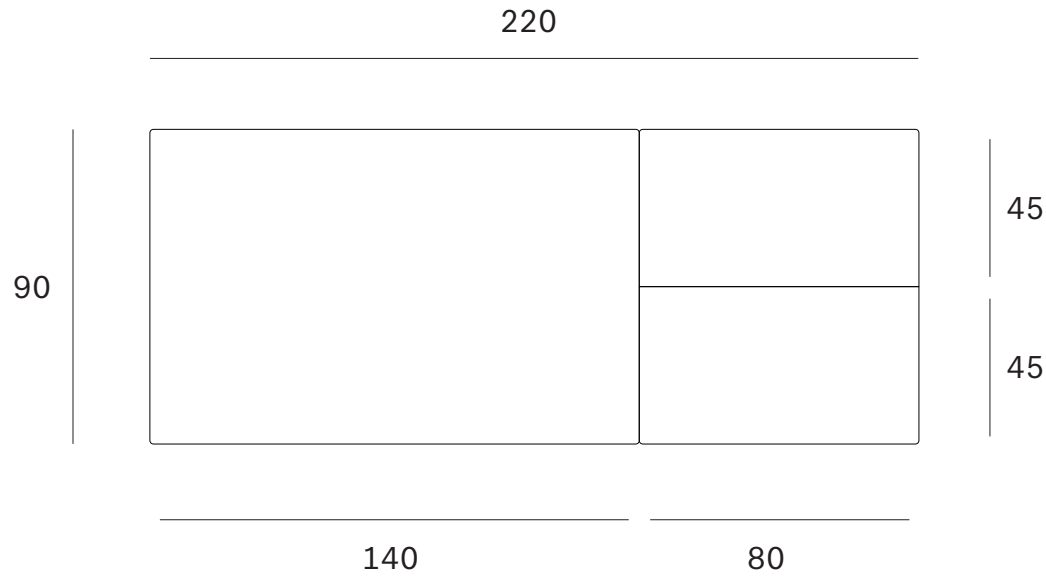


*Ethnicraft*

**Bok Extendable Dining table - Dimensions (cm)**



*Ethnicraft*

**Bok Extendable Dining table - Dimensions (inches)**

