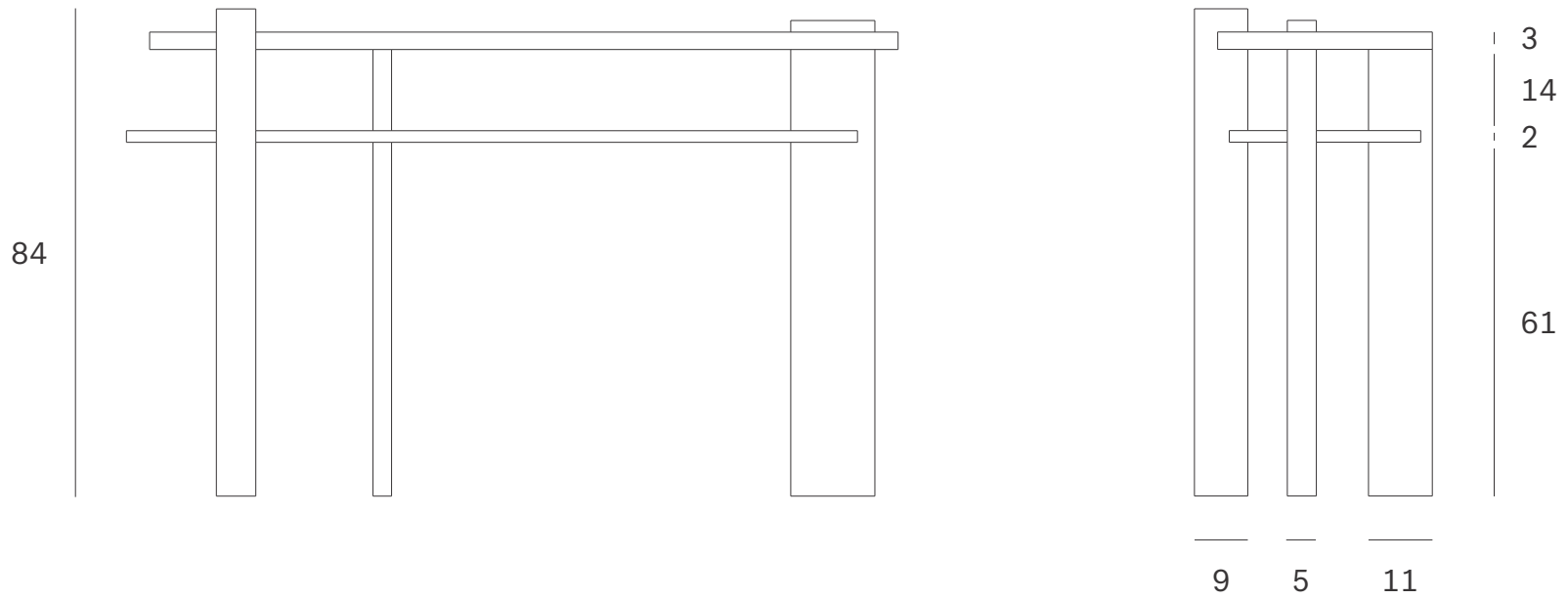
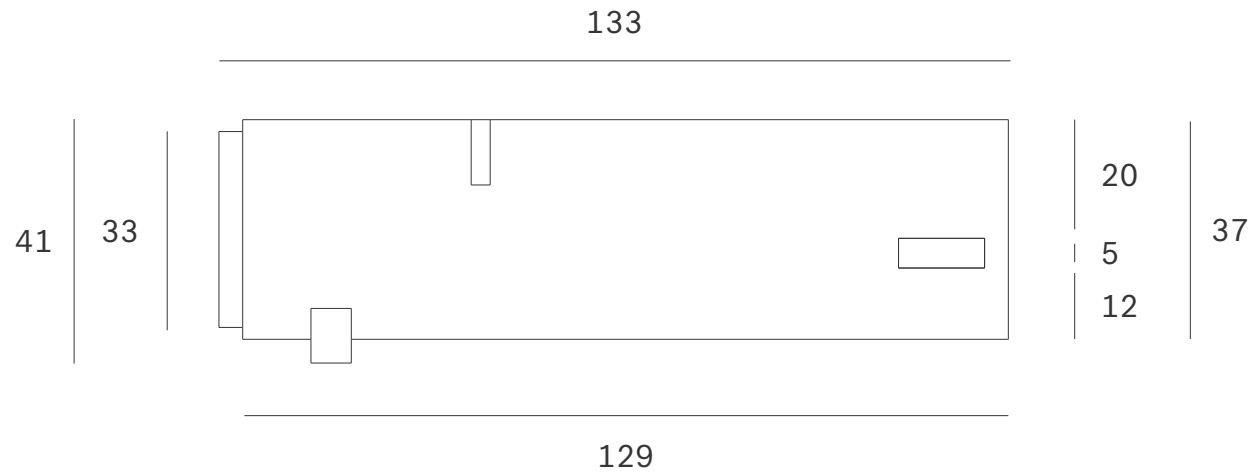


Abstract console - Dimensions (cm)



Abstract console - Dimensions (inches)

