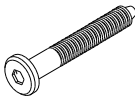
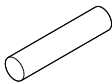
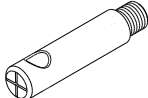




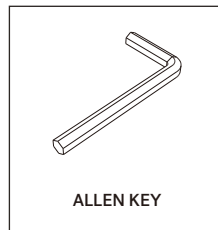
51335 PI CONSOLE ASSEMBLY INSTRUCTIONS FOR CONSOLE INSTALLATION



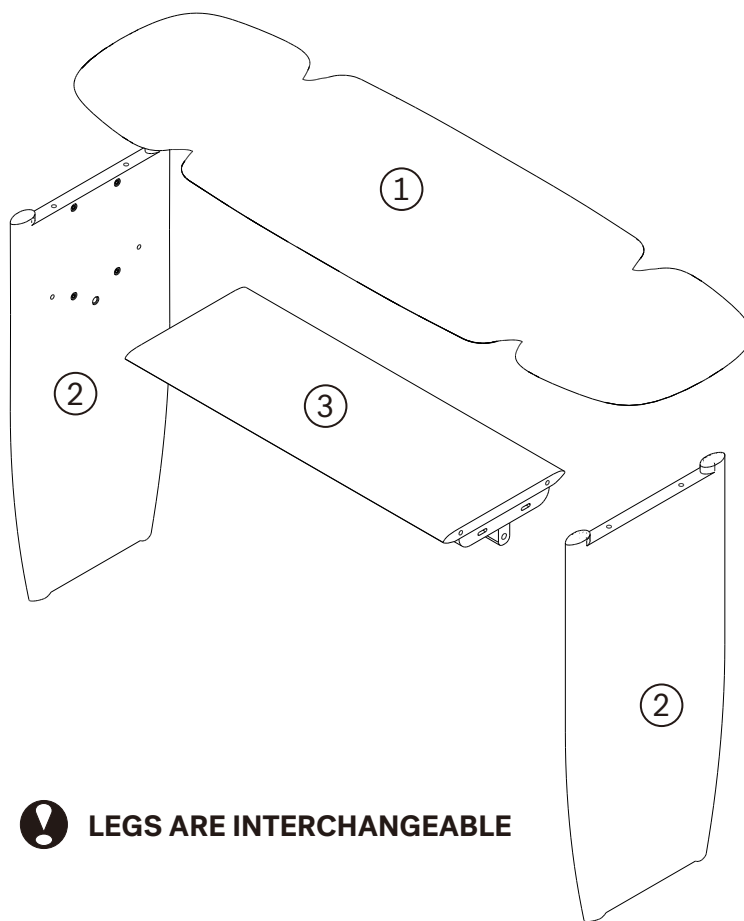
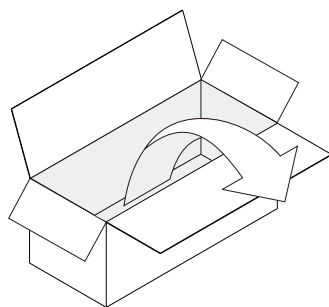
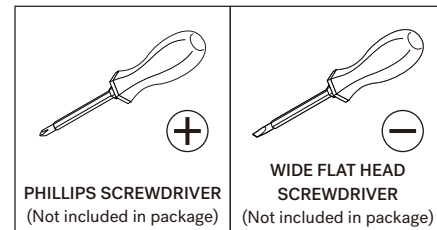
HARDWARE ENCLOSED

 <p>JCBC SCREW M6x40 (8pcs)</p>	 <p>DOWEL Ø8x30mm (8pcs)</p>	 <p>CONNECTING BOLT Ø10x46 (2pcs)</p>
 <p>LOCKING SCREW (2pcs)</p>	 <p>MINIFIX (2pcs)</p>	

TOOL ENCLOSED



TOOLS REQUIRED



IN YOUR PACKAGE :

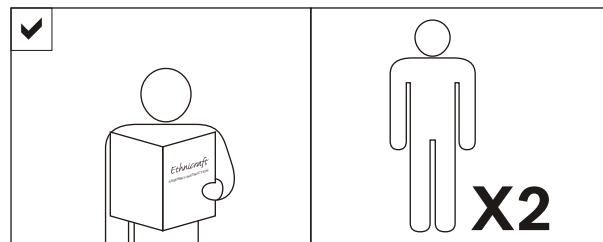
ASSEMBLY INSTRUCTIONS
HARDWARE (AS LISTED ABOVE)

PARTS TO BE INSTALLED

1. TABLE TOP (1 pc)
2. LEGS (2 pcs)
3. SHELF (1 pc)

! LEGS ARE INTERCHANGEABLE

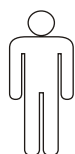
NOTICE



SYMBOLS



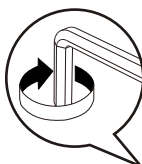
DIRECTION



NUMBER OF PERSONS NEEDED



USE HAND



USE ALLEN KEY TO TIGHTEN



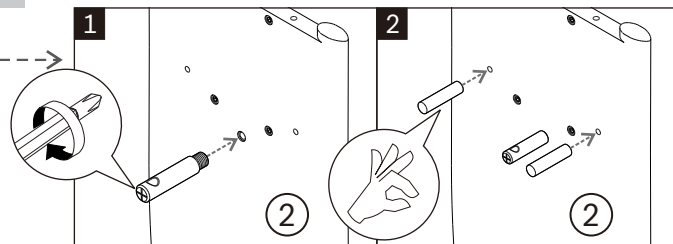
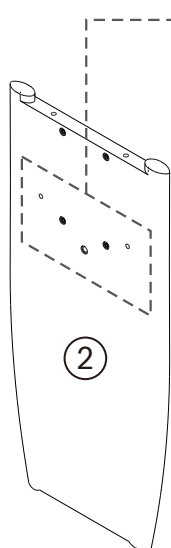
USE PHILLIPS SCREWDRIVER TO TIGHTEN



USE FLAT HEAD SCREWDRIVER TO TIGHTEN



A INSTALLING CONNECTING BOLT & DOWEL TO THE LEGS



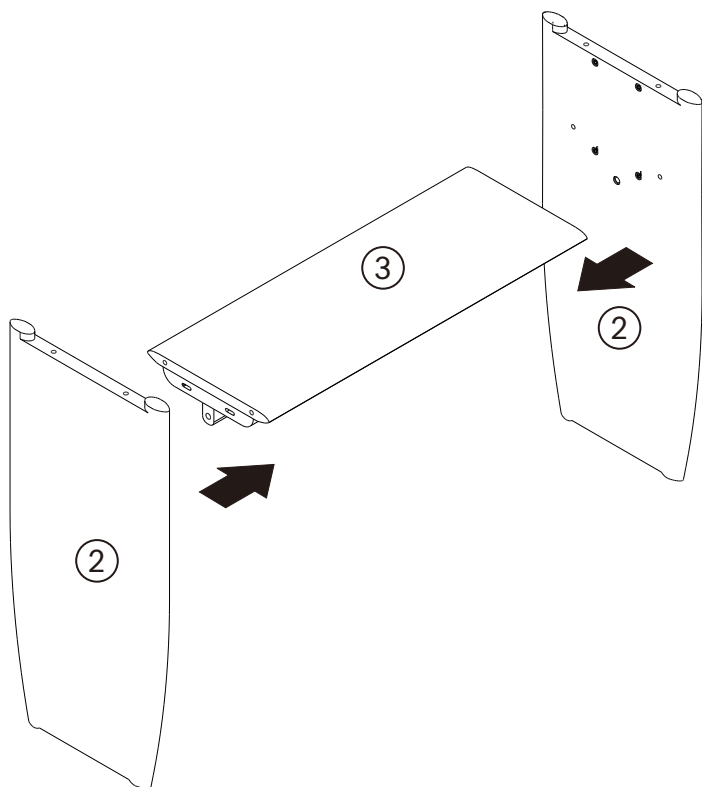
- USE CONNECTING BOLT Ø10x46 (X2)

- USE DOWEL Ø8x30mm (X4)

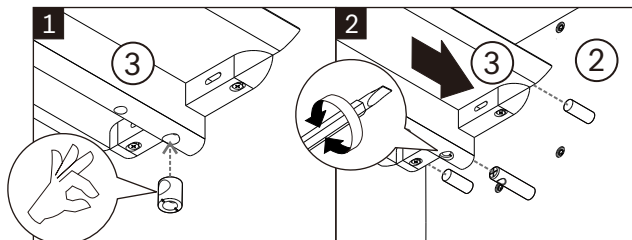
- REPEAT THIS STEP TO OTHER LEG

- HOLE ON THE CONNECTING BOLT HAS TO BE FACED DOWN WARD

B ATTACHING SHELF TO LEGS



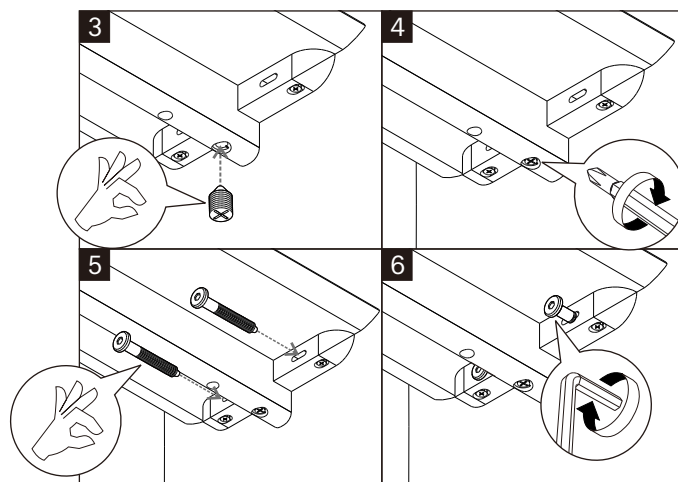
⚠ ONE PERSON IS REQUIRED TO HOLD SHELF IN PLACE WHILE IT IS ATTACHED



- USE MINIFIX (X2)

- USE FLAT WIDE FLAT HEAD SCREWDRIVER

- HOLE ON THE MINIFIX HAS TO BE ALIGNED WITH CONNECTING BOLT

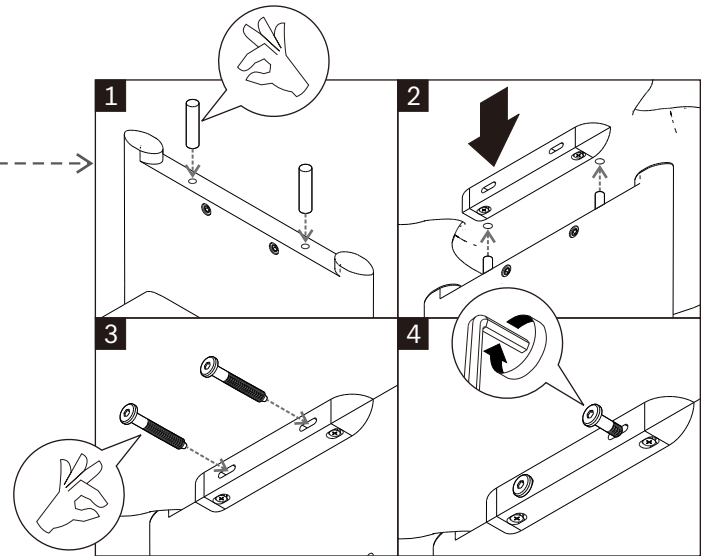
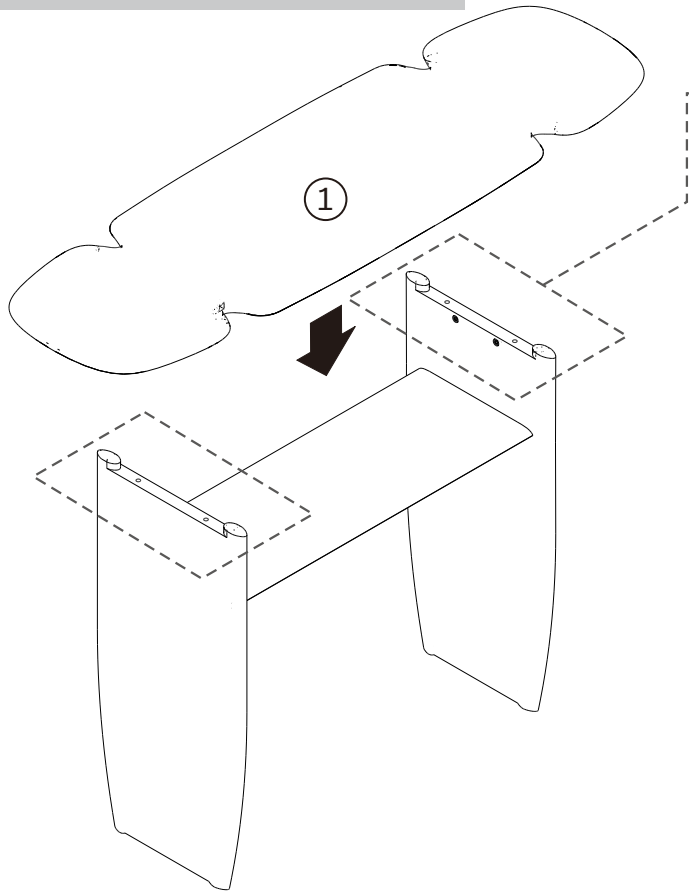


- USE JCBC SCREW M6x40 (X4)

- USE LOCKING SCREW (X2)

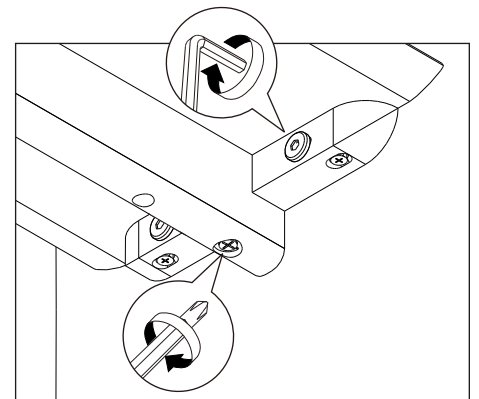
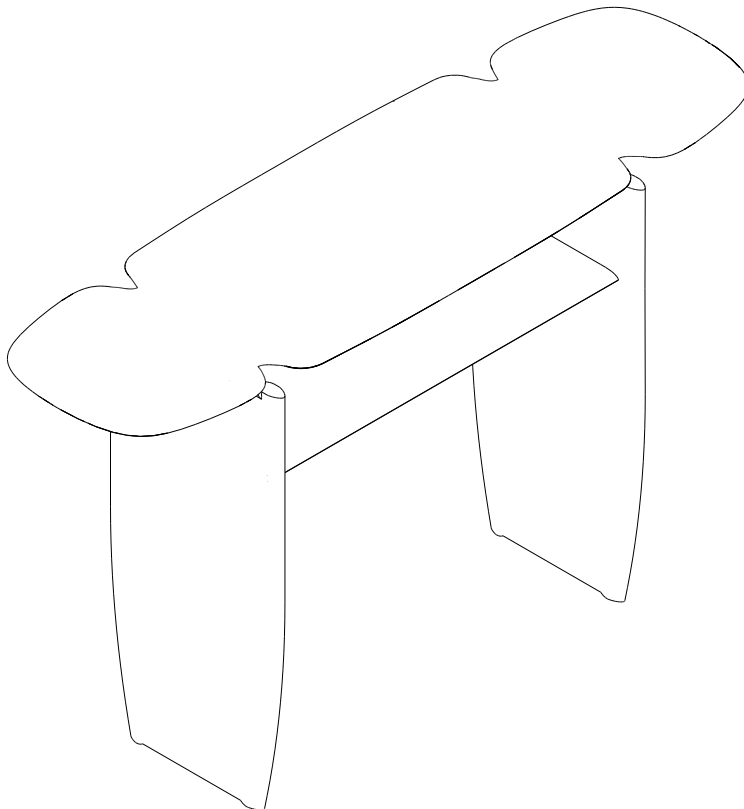
- DO NOT TIGHTEN FULLY

C ATTACHING TABLE TOP TO LEGS



- USE DOWEL Ø8x30mm (X4)
- USE JCBC SCREW M6x40 (X4)
- TIGHTEN FULLY

D ADJUST SCREWS



- ⚠ ADJUST ALL SCREWS UNTIL TIGHT