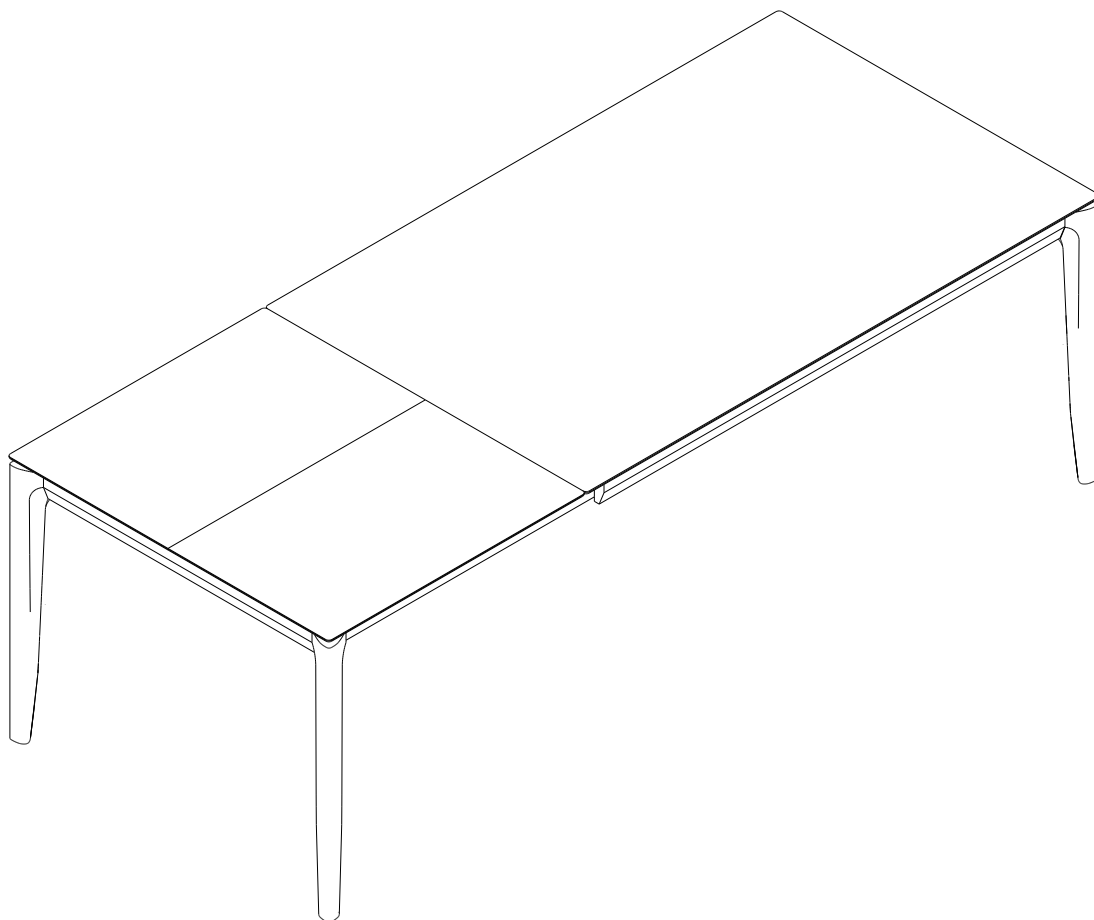


Ethnicraft

ASSEMBLY INSTRUCTIONS FOR DINING TABLE INSTALLATION

BOK EXTENDABLE DINING TABLE

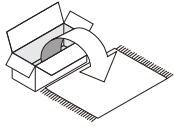
CODE	DESCRIPTION
51487	OAK BOK EXTENDABLE DINING TABLE 120-180/90/76
51502	OAK BOK EXTENDABLE DINING TABLE 140-220/90/76
51503	OAK BOK EXTENDABLE DINING TABLE 160-240/90/76
51504	OAK BOK EXTENDABLE DINING TABLE 180-280/100/76
51494	OAK BOK EXTENDABLE DINING TABLE 200-300/100/76
51542	OAK BOK BLACK EXTENDABLE DINING TABLE 140-220/90/76
51543	OAK BOK BLACK EXTENDABLE DINING TABLE 160-240/90/76
51544	OAK BOK BLACK EXTENDABLE DINING TABLE 180-280/100/76
51541	OAK BOK BLACK EXTENDABLE DINING TABLE 200-300/100/76
51552	OAK BOK BROWN EXTENDABLE DINING TABLE 140-220/90/76
51553	OAK BOK BROWN EXTENDABLE DINING TABLE 160-240/90/76
51554	OAK BOK BROWN EXTENDABLE DINING TABLE 180-280/100/76
51540	OAK BOK BROWN EXTENDABLE DINING TABLE 200-300/100/76



BOK EXTENDABLE DINING TABLE ASSEMBLY INSTRUCTIONS FOR DINING TABLE INSTALLATION



NOTE



- CAREFULLY OPEN THE CARTON,
- REMOVE CONTENTS AND LAY OUT ON CARPET OR THE PACKAGING CARTON BOX OR OTHER PROTECTIVE SURFACE TO AVOID DAMAGE.
- CHECK PACKAGE CONTENTS TO ASSURE ALL THE NECESSARY HARDWARE AND PARTS ARE RECEIVED UNDAMAGED.
- DO NOT USE DAMAGE OR DEFECTIVE PARTS/HARDWARE.
- CONTACT ETHNICRAFT FOR ANY MISSING PART AND/OR HARDWARE.

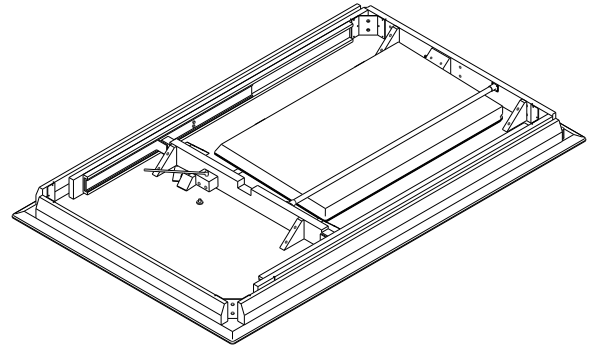


- READ ASSEMBLY INSTRUCTIONS BEFORE INSTALLATION, CAREFULLY FOLLOWING THE DIRECTIONS GIVEN.
- SEEK PROFESSIONAL ADVICE IF YOU ARE NOT FAMILIAR WITH DIRECTIONS OF THIS INSTALLATION OR IF YOU HAVE ANY DOUBTS ABOUT SAFETY.



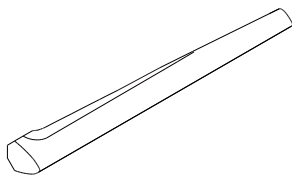
- IT IS ADVISED TO CONDUCT THIS ASSEMBLY WITH A MINIMUM OF 2 PERSONS.
- WHEN LIFTING THE TABLE, MAKE SURE THE TABLE IS IN UNEXTENDED POSITION.
- LIFT ONLY FROM THE APRON.

PARTS TO ASSEMBLE



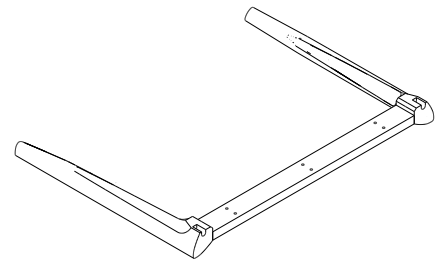
A TABLE TOP 1 piece

CODE	DESCRIPTION
P4968	TABLE TOP 120-180/90
P4648	TABLE TOP 140-220/90
P4649	TABLE TOP 160-240/90
P4650	TABLE TOP 180-280/100
P4884	TABLE TOP 200-300/100
P4738	TABLE TOP - BLACK 140-220/90
P4739	TABLE TOP - BLACK 160-240/90
P4740	TABLE TOP - BLACK 180-280/100
P4753	TABLE TOP - BLACK 200-300/100
P4989	TABLE TOP - BROWN 140-220/90
P4990	TABLE TOP - BROWN 160-240/90
P4991	TABLE TOP - BROWN 180-280/100
P4988	TABLE TOP - BROWN 200-300/100



C LEG 2 pieces

CODE	DESCRIPTION
P4651	LEG
P4691	LEG - BLACK
P4801	LEG - BROWN



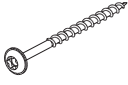
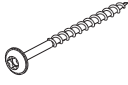
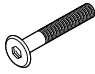

B LEG SET WITH APRON 1 piece

CODE	DESCRIPTION
P4512	LEG WITH APRON 90 DEPTH
P4515	LEG WITH APRON 100 DEPTH
P4742	LEG WITH APRON - BLACK 90 DEPTH
P4743	LEG WITH APRON - BLACK 100 DEPTH
P4992	LEG WITH APRON - BROWN 90 DEPTH
P4993	LEG WITH APRON - BROWN 100 DEPTH

BOK EXTENDABLE DINING TABLE ASSEMBLY INSTRUCTIONS FOR DINING TABLE INSTALLATION


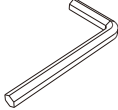


HARDWARE ENCLOSED

 <p>H0689 SPAX SCREW M6x80 (4pcs)</p>	 <p>H0849 SPAX SCREW M6x120 (4pcs)</p>	 <p>H2069 SCREW M6x40 (6pcs)</p>	 <p>H0383 WASHER M8 (8pcs)</p>
--	---	---	---

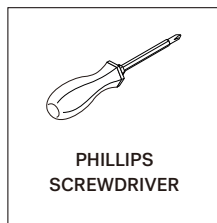
TOOLS

(Included in package)

 <p>H0893 TORX KEY (1pc)</p>	 <p>H0745 ALLEN KEY (1pc)</p>
--	--

TOOL

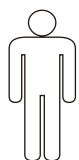
(Not included in package)



SYMBOLS



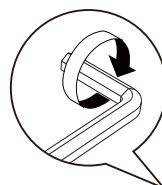
DIRECTION



NUMBER OF
PERSONS NEEDED



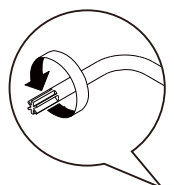
USE HAND



USE ALLEN KEY
TO TIGHTEN



USE
SCREWDRIVER

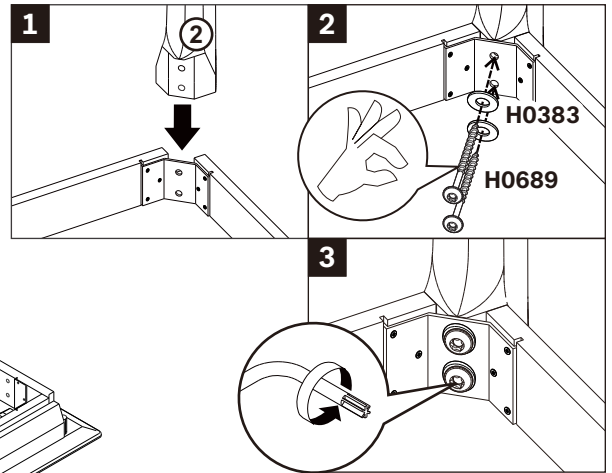
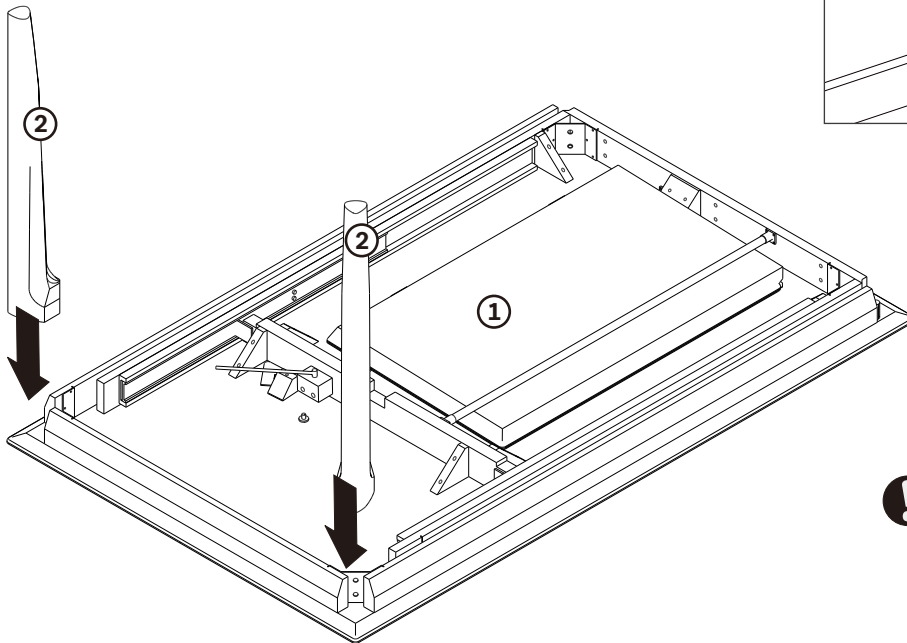


USE TORX KEY
TO TIGHTEN

BOK EXTENDABLE DINING TABLE ASSEMBLY INSTRUCTIONS FOR DINING TABLE INSTALLATION



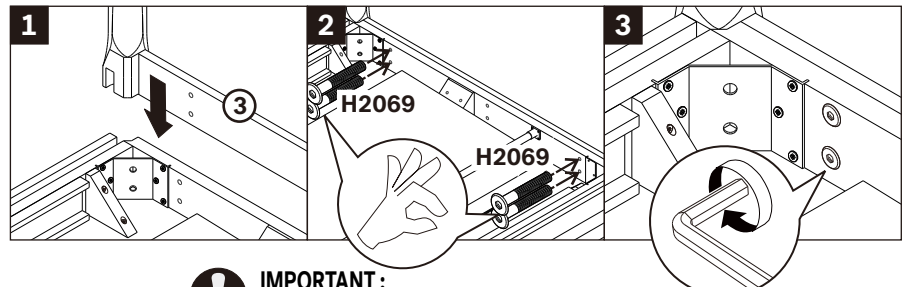
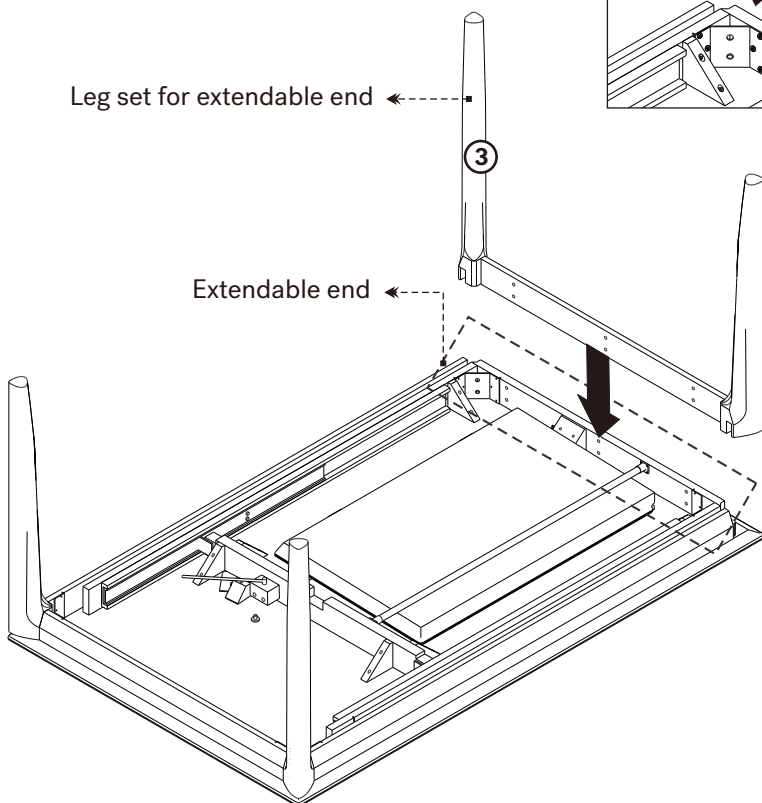
A. INSTALLING LEGS TO TABLE TOP



IMPORTANT :

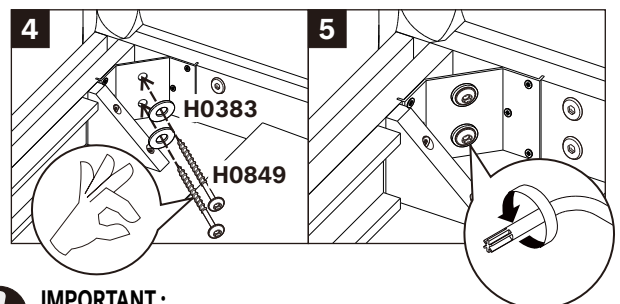
- USE WASHER M8
- USE SPAX SCREW M6x80 FOR THE FIXED LEGS
- TIGHTEN FULLY

B. INSTALLING LEG SET TO TABLE TOP



IMPORTANT :

- INSTALL SCREWS M6x40 ON THE RIGHT & LEFT SIDE OF APRON FIRST
- MIDDLE SCREWS ON APRON ARE INSTALLED AFTER TABLE IS IN STANDING POSITION
- DO NOT FULLY TIGHTEN



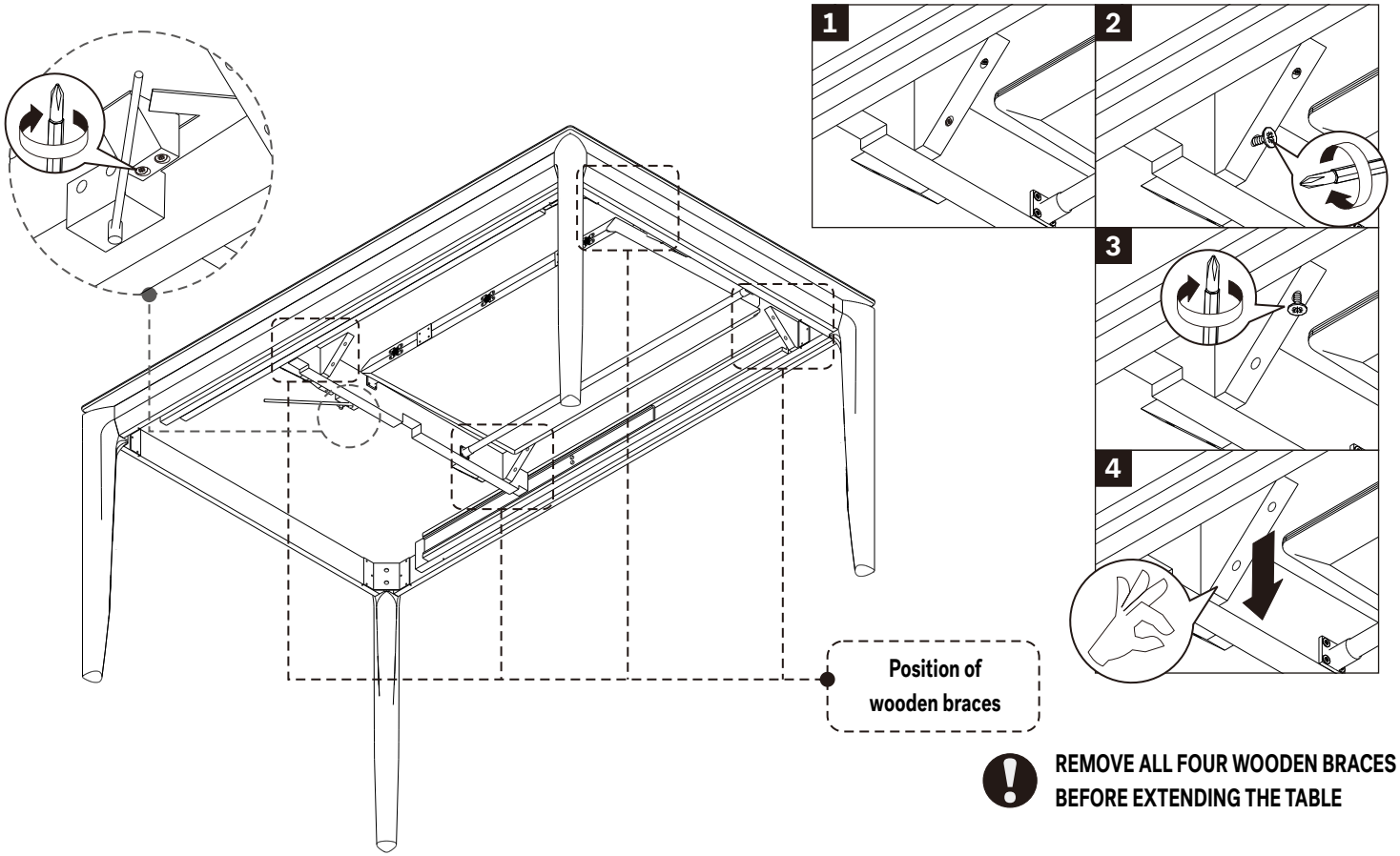
IMPORTANT :

- USE WASHER M8
- USE SPAX SCREW M6x120 FOR THE EXTENDABLE LEGS
- TIGHTEN FULLY ALL SCREWS

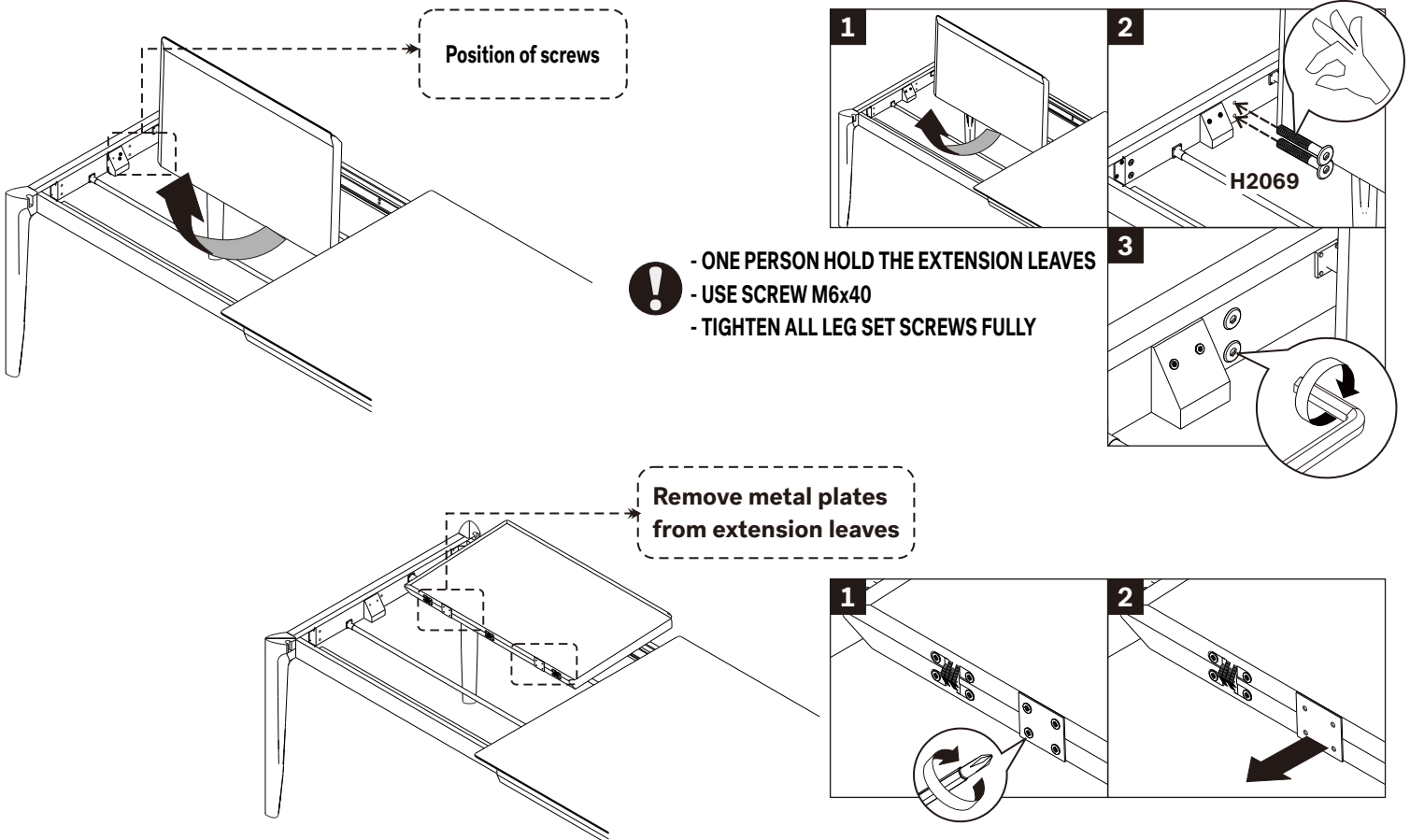
BOK EXTENDABLE DINING TABLE ASSEMBLY INSTRUCTIONS FOR DINING TABLE INSTALLATION



C. REMOVE WOODEN PACKAGING BRACES



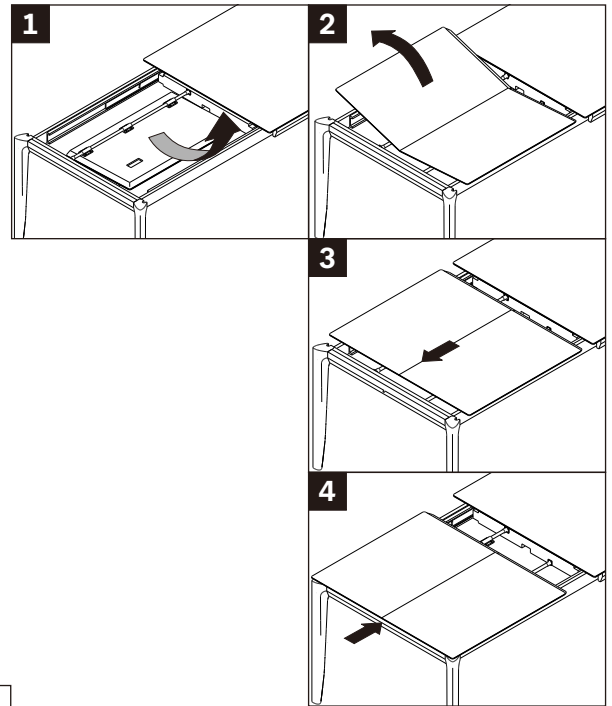
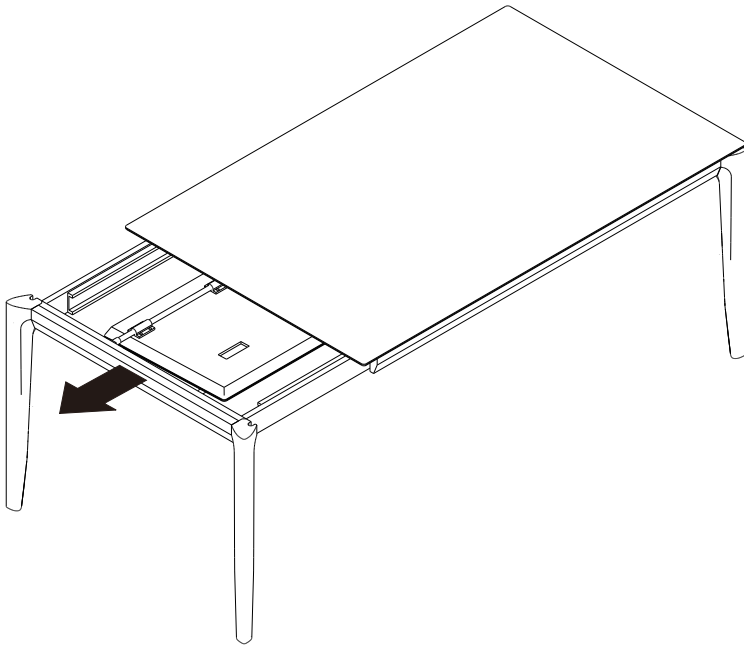
D. INSTALLING CENTRAL SCREWS TO INSIDE OF LEG SET



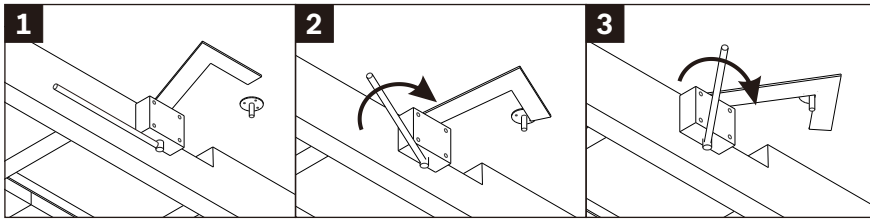
BOK EXTENDABLE DINING TABLE ASSEMBLY INSTRUCTIONS FOR DINING TABLE INSTALLATION



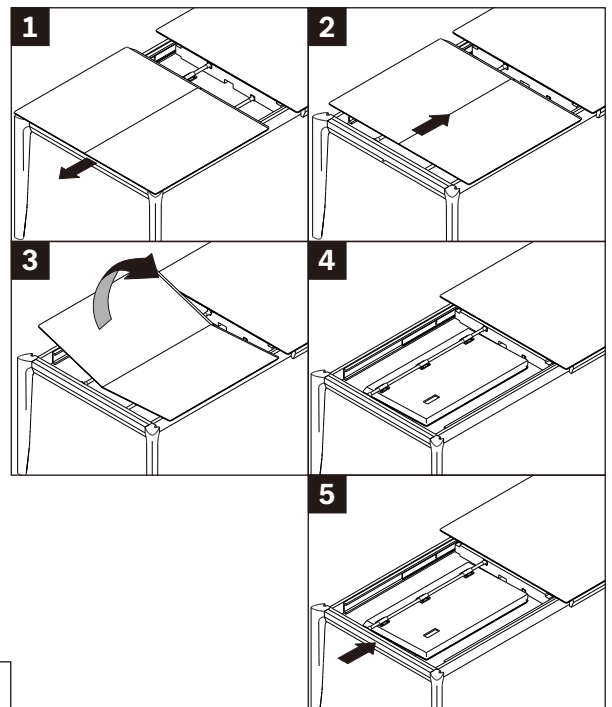
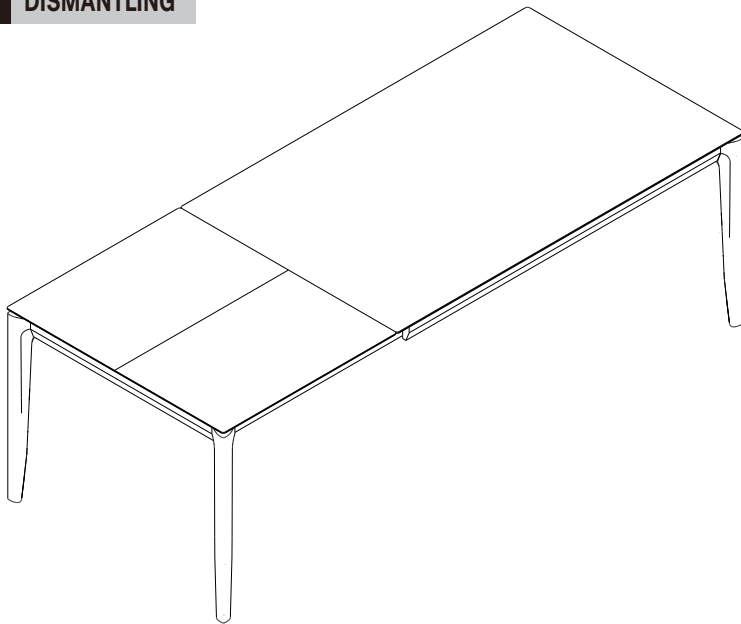
E. EXTENDING



NOTE : AFTER EXTENDING, LOCK IN PLACE ON UNDERSIDE OF TABLE TOP



F. DISMANTLING



NOTE : BEFORE DISMANTLING, UNLOCK ON UNDERSIDE OF TABLE

